

# NEWLINE S044Pxxx

## Open Pluggable Specification OPS PC

Specially design for NEWLINE TRUTOUCH touchscreens, will bring you the best performance for your presentations and multimedia content becoming the core of your all in one solution for collaboration.

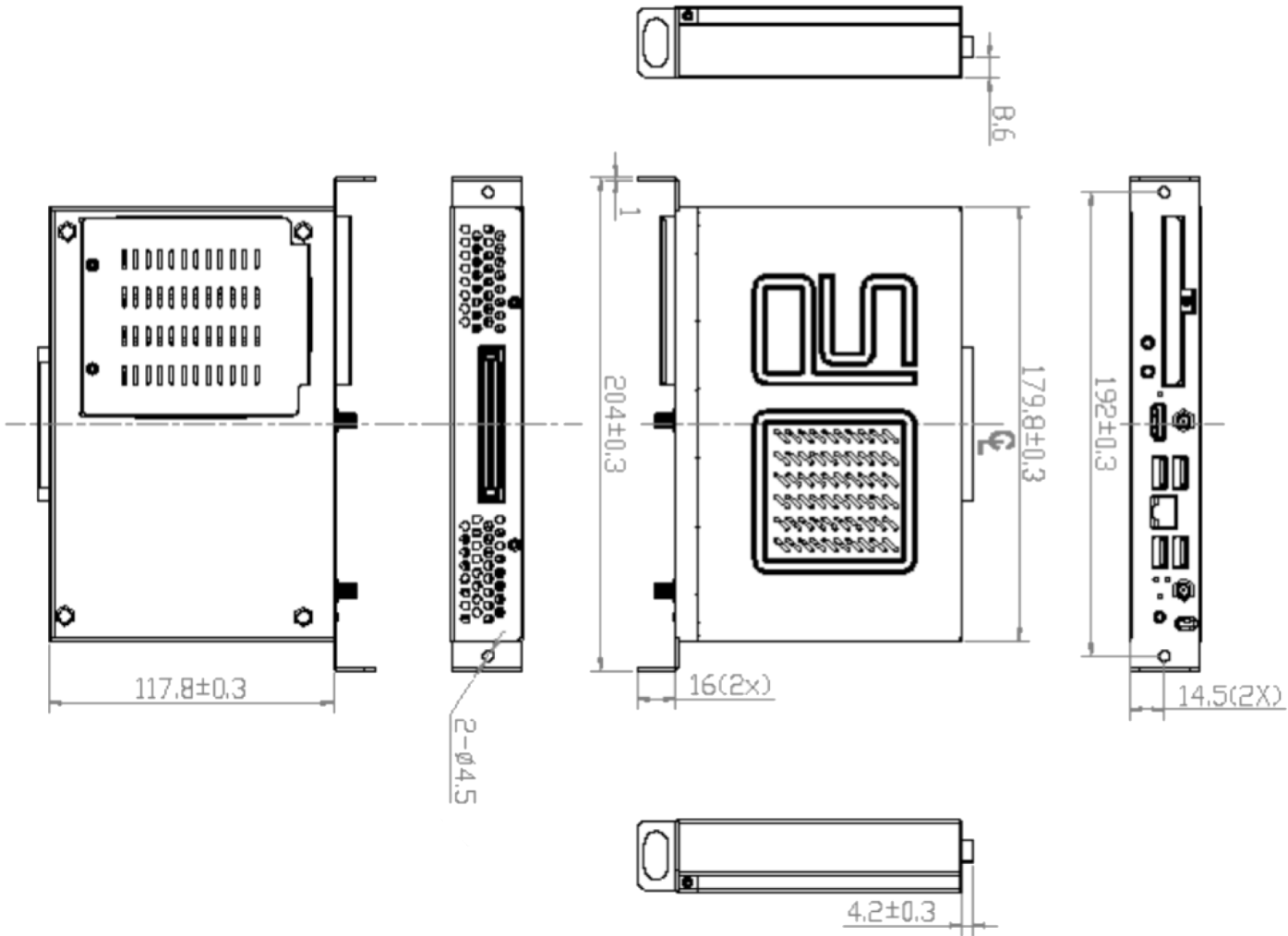


### Features

- Intel® OPS Standard Module
- Intel® Kabylake-U platform
- Dual Channel DDR4 Memory
- JAE 80-pin 4k@60Hz
- HDMI 2.0
- TPM 2.0

### Specification

<b>Processor</b>	Intel® Kabylake-U 7th Generation
<b>Memory</b>	Dual Change DDR4 2133MHz, Max 32GB
<b>Storage</b>	1x 2.5" SATA HDD/SDD 1x M.2 2242 SSD
<b>Graphics</b>	Intel® HD Graphics 5series
<b>Wireless</b>	1x Mini PCI-e WIFI/4G Module
<b>Network</b>	Intel Gigabit Ethernet
<b>Audio</b>	Realtek ALC662 HD Audio IC
<b>Interface Frontside</b>	2x USB3.0 Type-A 2x USB2.0 Type-A 1x RJ45 10/100/1000M 1x HDMI 1.4 out, Max.4K/24Hz 1x 3.5mm Line out 1x 3.5mm Mic in 2x WIFI/BT ANT 1x IR receiver 1x Power button 1x Power LED 1x HDD/SSD LED
<b>Interface rearside</b>	1x HDMI 2.0 out, 4K/60Hz, 3x USB 2.0/3.0 TTL
<b>Power input</b>	12-19v DC IN
<b>TPM</b>	TPM 2.0 firmware
<b>Material</b>	Metal
<b>Dimensions</b>	119(L) x 180(W) x 30(H) mm
<b>Temperature</b>	Operdting -5°C~45°C, Storage -20°C~70°C
<b>Humidity</b>	10%~95% (non-condensing)
<b>Net Weight</b>	0.9kg
<b>OS</b>	Windows 10 Pro Preinstalled (not activate)



## Ordering Information

Number	SOC	Performance	Memory	Storage	WIFI/BT	Lan	HDMI/80Pin	TPM
S044P622	Intel® Core™ i5-7500U	3M Cache, up to 3.10 GHz	2*4GB DDR4	256GB SSD	802.11ac/BT4.0	Intel 1000M	HDMI 2.0	TPM 2.0
S044P832	Intel® Core™ i7-7500U	3M Cache, up to 3.10 GHz	2*8GB DDR4	256GB SSD	802.11ac/BT4.0	Intel 1000M	HDMI 2.0	TPM 2.0

newline

NEWLINE INTERACTIVE

US Headquarters  
101 East Park Blvd, Suite 807  
Plano, TX 75074, USA  
TEL: +1-972-468-9728  
<http://www.newline-interactive.com/>  
Want to buy: [info@newline-interactive.com](mailto:info@newline-interactive.com)  
Become our partner: [partner@newline-interactive.com](mailto:partner@newline-interactive.com)

Europe Office  
Ronda de Poniente, N°2, 1ª planta, Oficina 1B,  
28760, Tres Cantos, Madrid, Spain.  
TEL: +34-911169178  
Want to buy: [info\\_eu@newline-interactive.com](mailto:info_eu@newline-interactive.com)  
Become our partner: [partner\\_eu@newline-interactive.com](mailto:partner_eu@newline-interactive.com)

Asia Pacific Office  
4F-3, No.76, Sec.2, Jiafeng S.Rd,  
Zhubei City, Hsinchu County, 30272, Taiwan  
Tel: +886-3-5504768  
Want to buy: [info\\_ap@newline-interactive.com](mailto:info_ap@newline-interactive.com)  
Become our partner: [partner\\_ap@newline-interactive.com](mailto:partner_ap@newline-interactive.com)